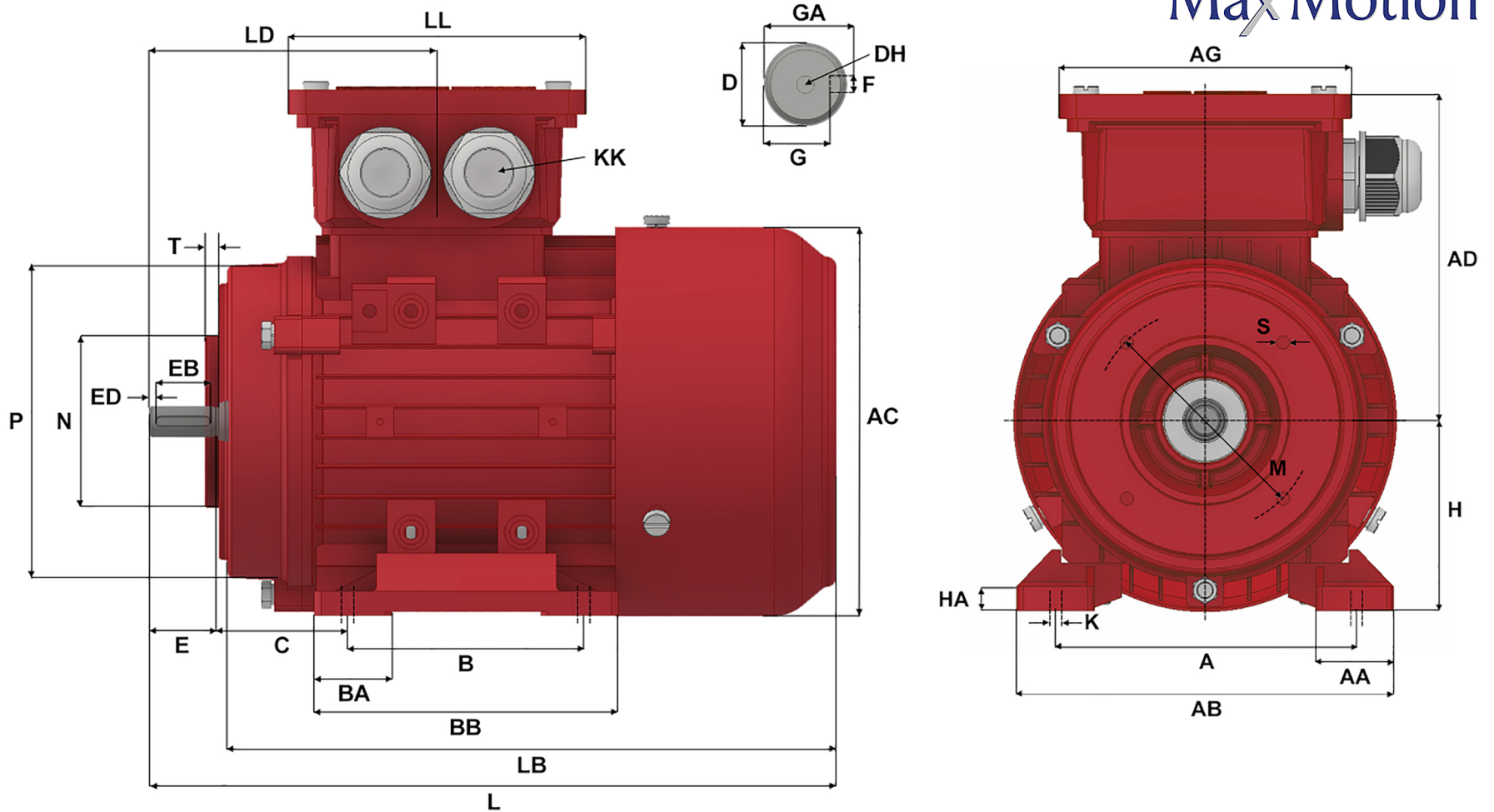


MaxMotion



Version: 1JLEM		Revised: 14-02-2023		HP	RPM	FRAME	ENCLOSURE	IJA290L-6-B34A							
Customer is responsible in determining that Max Motion product will fit/perform suitably in the intended application								1.5	1200	90L	TEFC				
A	B	C	D	E	F	G	H	K	L	M	N	P			
140	125	56	24	50	8	20	90	10 X 14	340	115	95	140			
S	T	AA	AB	AC	AD	AG	BA	BB	DH	EB	ED	GA			
M8	3	37	173	165	138	109	32.5	125	M8 X 19	40	5	27			
HA	KK (1)	KK (2)	KK (3)	LB	LD	LL									
10	M20 X 1.5	3/4" NPT	-	290	136	109									